



बैंक नोट पेपर मिल इण्डिया प्रा. लिमिटेड

BANK NOTE PAPER MILL INDIA PVT LIMITED

JV of SPMCIL - A Govt. of India Enterprises & BRBNMPL - A Subsidiary of RBI

email : [scmcommon@bnpmindia.com](mailto:scmcommon@bnpmindia.com), Ph: 0821 2401 178

Limited Tender Enquiry No: BNPM/LTE/Tools/220/2018-19

Enquiry issuing Date: 20.06.2018  
Closing date: 26.06.2018 @ 1000 Hrs

**1. Scope of work:**

Supply of **Tools, Gravers etc.,**

**2. Terms & Conditions:**

S. No.	Particulars	Quantity
1.	Payment Terms	100% on receipt and acceptance of goods by the consignee at destination and on production of all required documents by the supplier. <b><u>Warranty certificate (if applicable) and NEFT/RTGS details shall be furnished along with invoice.</u></b>
2.	Price	Price should be inclusive of taxes,
3.	Freight	Shall be included in quoted price
4.	Packing & Forwarding	Shall be included in quoted price
5.	Delivery Terms	DAP, Bank Note Paper Mill India Private Limited, Mysore
6.	Warranty Period	.....
7.	Warranty Certificate	Applicable / Not Applicable
8.	Delivery Period	.....
9.	Material to be delivered at	Engineering Stores Bank Note Paper Mill India Private Limited Note Mudran Nagar Mysore 570 003
10.	Contact person in Engineering Stores	Mr. Ashutosh Kumar 0821 2401 486 Mr. Sunil Kumar 0821 2401 485

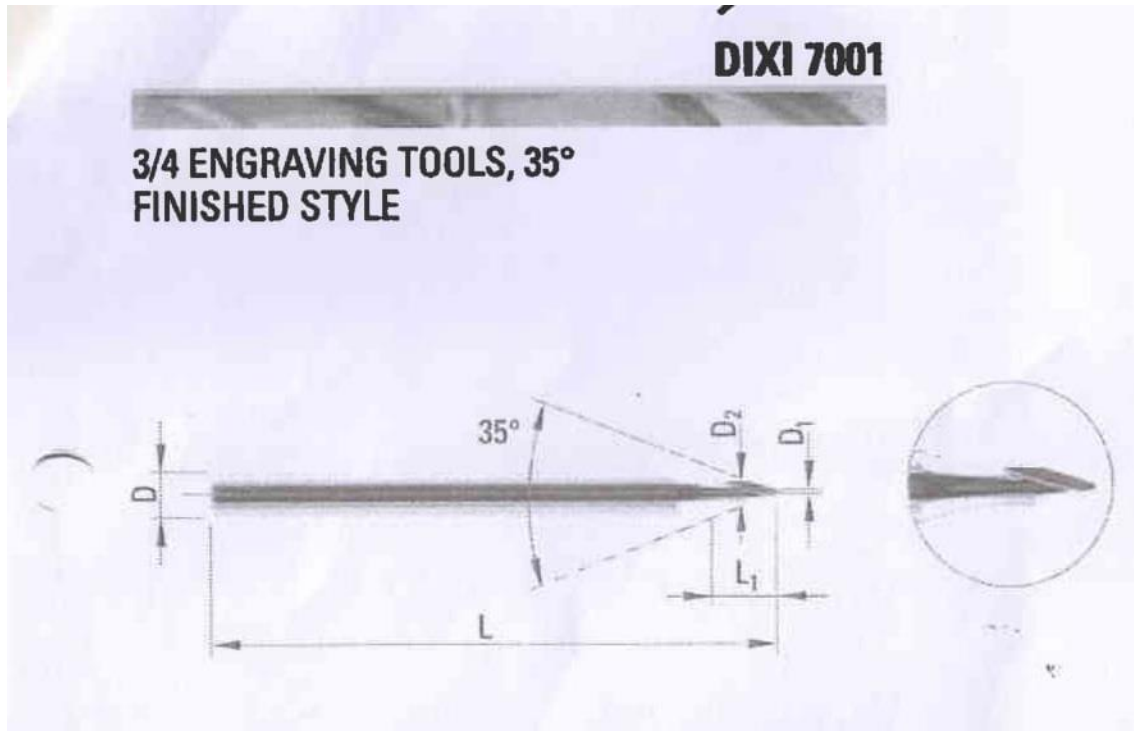


**Price Bid Format:**

S. No.	Description	Qty.	UOM	Unit rate	Freight, P&F Charges	GST@	Unit rate including GST & Freight, P&F Charges	Grand total inclusive of GST and Freight, P&F Charges (DAP, BNPM, Mysore)
1.	<b>Engraving Tool dia 0.15mm</b> Solid carbide material L1 both sides; L1: 3.4 D2: 1.5 35° finished style Equivalent to DIXI 7001	05	Nos					
2.	<b>Gravers</b> 6mm dia Raw tool L1 both sides; L1: 8 L: 57 Equivalent to DIXI 7020	50	Nos					
3.	<b>Endmill cutter 6mm dia</b> Solid carbide Flute length: 8 to 10mm; Dia: 6mm	30	Nos					
4.	<b>Solid carbide drill bit 3mm dia;</b> Flute length: 16mm	50	Nos					
5.	<b>Solid carbide drill bit 1mm dia;</b> Flute length: 16mm	50	Nos					



6.	<b>Teflon tapes</b>	30	Nos					
7.	<b>Tissue Paper Roll</b>	50	Nos					
<b>Total price inclusive of all tax, freight , P&amp;F charges</b>								



We hereby confirm that

1. We accept all terms & conditions mentioned in the enquiry.
2. Price quoted is inclusive of all taxes, P&F, freight etc. on DAP, BNPM, Mysore basis.
3. HSN Code:

Signature of bidder:.....

Name of the Firm:.....

Seal of the firm: .....

GST No: .....

